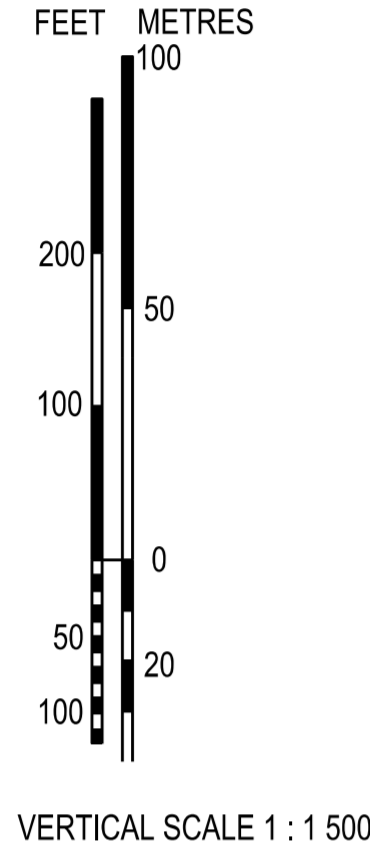
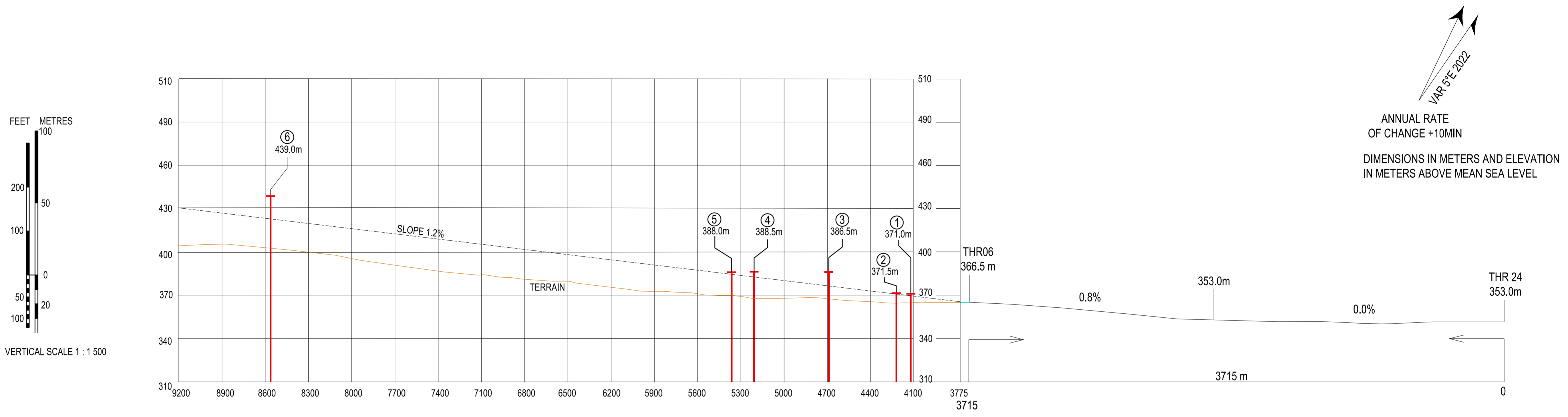


AERODROME OBSTACLE CHART - ICAO TYPE A (OPERATING LIMITATION)

PRAHA / Ruzyně RWY 24



VAR 5°E 2022

ANNUAL RATE OF CHANGE +10MIN

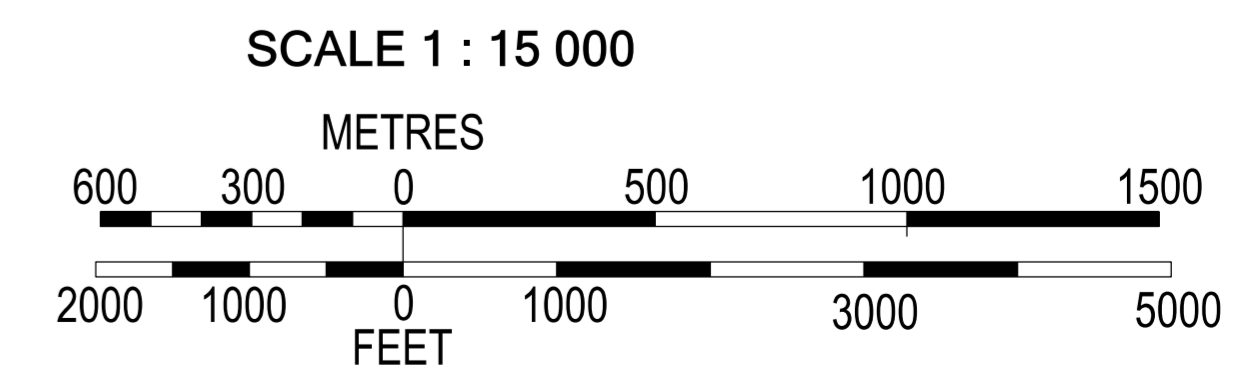
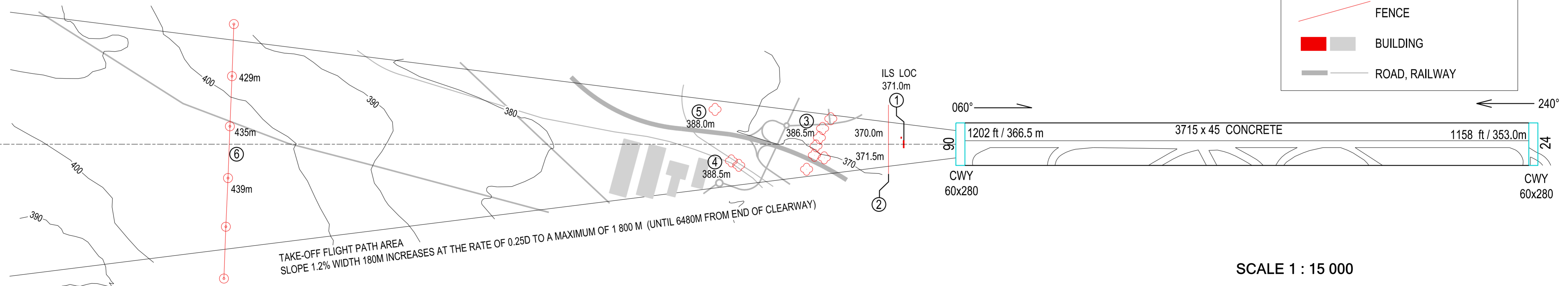
DIMENSIONS IN METERS AND ELEVATION IN METERS ABOVE MEAN SEA LEVEL

RWY 24

DECLARED DISTANCES	
TAKE - OFF RUN AVAILABLE	3715
TAKE - OFF DISTANCE AVAILABLE	3775
ACCELERATE STOP DISTANCE	3715
LANDING DISTANCE AVAILABLE	3715

LEGEND

	CONTOUR
	TERRAIN
	OBSTACLE
	TRANSMISSION LINE
	TREES
	FENCE
	BUILDING
	ROAD, RAILWAY



change of horizontal and vertical scale