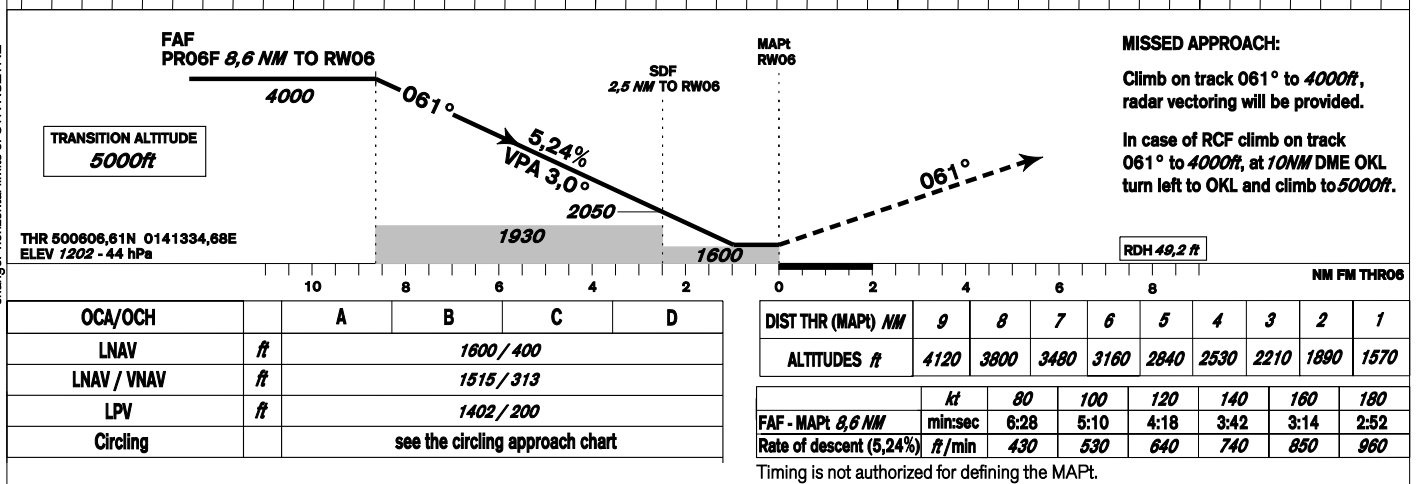
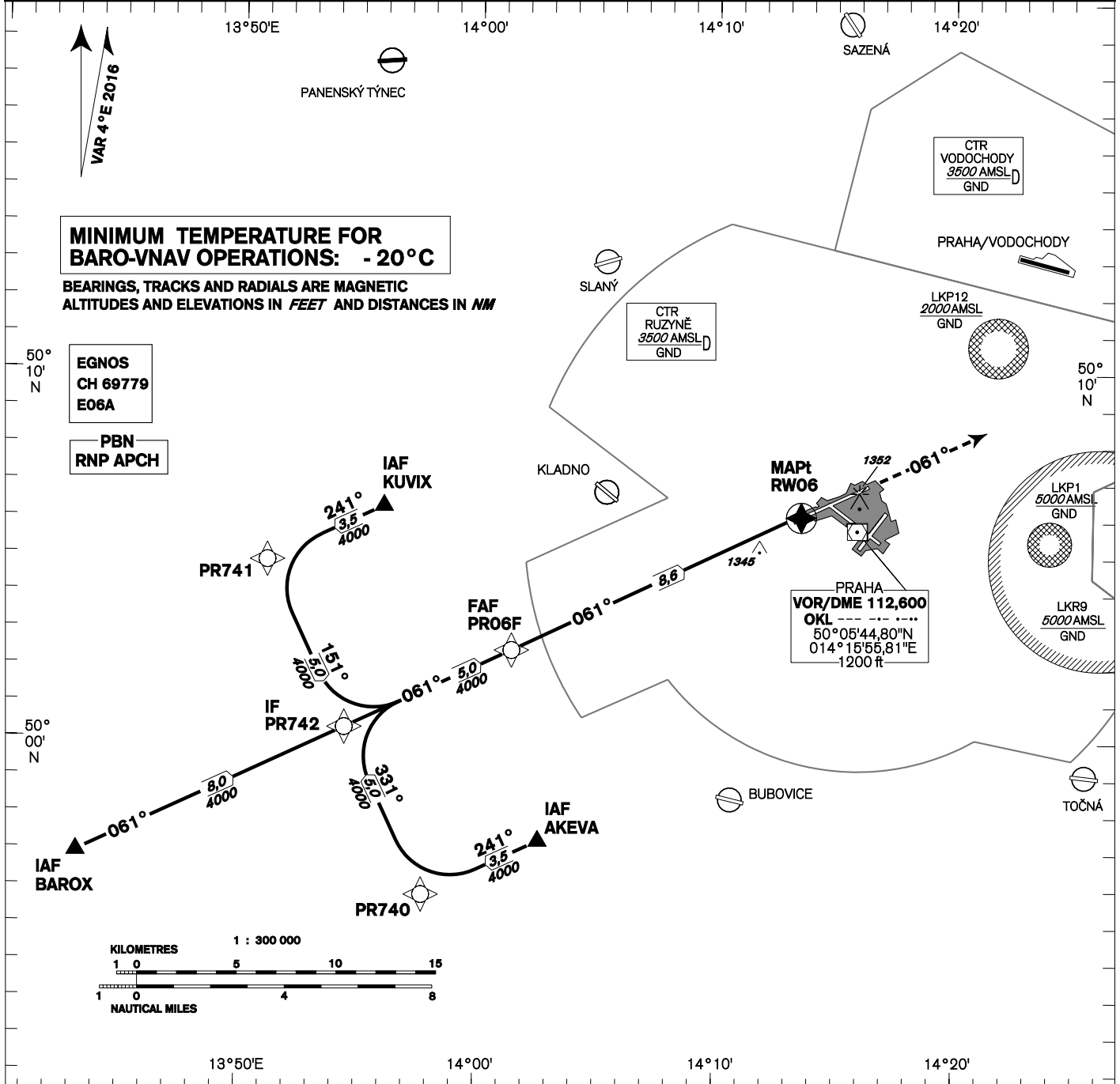


INSTRUMENT APPROACH CHART - ICAO	AERODROME ELEV 1234 THR RWY 06 ELEV 1202 OCH RELATED TO THR RWY 06	PRAHA RADAR 127,580 RUZYNĚ RADAR 119,010 SUPPLEMENTARY FREQ 136,080 121,500 134,560 RUZYNĚ TOWER 118,110 SUPPLEMENTARY FREQ 121,500	<div style="text-align: center;"> MSA VOR/DME OKL </div> <div style="text-align: right; font-size: 1.2em; font-weight: bold;"> PRAHA/Ruzyně RNP RWY 06 </div>
---	--	---	---



change: horizontal limits of CTR RUZYNĚ

Posloupnost traťových bodů / Way point sequence

Od / From IAF KUVIX		
KUVIX	IAF	fly-by
PR741		fly-by
PR742	IF	fly-by
PR06F	FAF	fly-by
RW06	MAPt	fly-over

Od / From IAF BAROX		
BAROX	IAF	fly-by
PR742	IF	fly-by
PR06F	FAF	fly-by
RWY06	MAPt	fly-over

Seznam traťových bodů / Way point list	
KUVIX	50 06 19,91 N 013 56 01,47 E
AKEVA	49 57 17,56 N 014 02 37,59 E
BAROX	49 56 54,77 N 013 43 15,06 E
PR740	49 55 48,83 N 013 5745,19 E
PR741	50 04 50,89 N 013 51 08,37 E
PR742	50 00 19,91 N 013 54 27,10 E
PR06F	50 02 27,19 N 014 01 26,71 E
RW06	50 06 06,61 N 014 13 34,68 E

Od / From IAF AKEVA		
AKEVA	IAF	fly-by
PR740		fly-by
PR742	IF	fly-by
PR06F	FAF	fly-by
RW06	MAPt	fly-over

SBAS FAS Data Block

Vstupní data / Input Data

Parametry / Parameters	Hodnoty / Values
Operation Type	0
SBAS Provider	1 (EGNOS)
Airport Identifier	LKPR
Runway	06
Runway Letter	0 (None)
Approach Performance Designator	0
Route Indicator	
Reference Path Data Selector	0
Reference Path Identifier	E06A
LTP/FTP Latitude	500606.6100N
LTP/FTP Longitude	0141334.6800E
LTP/FTP Ellipsoidal Height (metres)	412.2
FPAP Latitude	500657.4200N
Delta FPAP Latitude (seconds)	50.8100
FPAP Longitude	0141624.1200E
Delta FPAP Longitude (seconds)	169.4400
Threshold Crossing Height	49.2
TCH Units Selector	0 (feet)
Glidepath Angle (degrees)	3.00
Course Width (metres)	105.00
Length Offset (metres)	0
HAL (metres)	40.0
VAL (metres)	35.0

Výstupní data / Output Data

Parametry / Parameters	Hodnoty / Values
Data Block	10 12 10 0B 0C 06 00 00 01 36 30 05 24 5A 80 15 B0 F2 1A 06 1A 24 F4 8C 01 C0 2B 05 EC 01 2C 01 64 00 C8 AF 69 EA 09 6F
Calculated CRC Value	69EA096F

Required Additional Data (not CRC wrapped)

Parametry / Parameters	Hodnoty / Values
ICAO Code	LK
LTP/FTP Orthometric Height (metres)	366.4