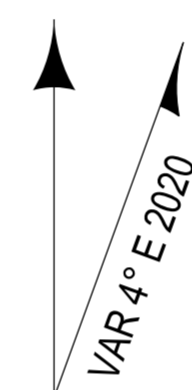
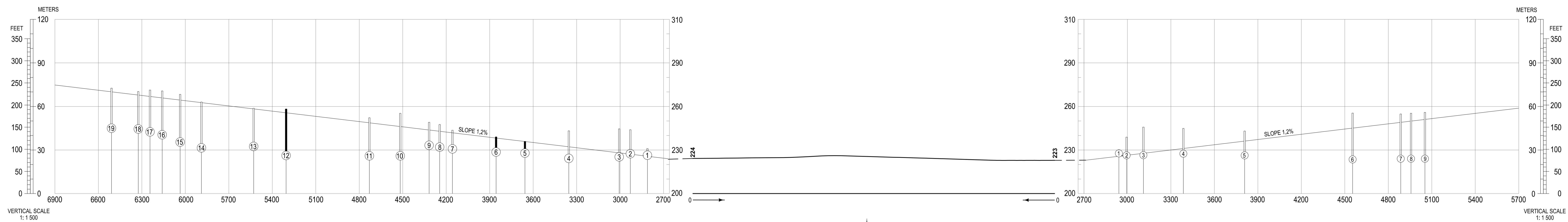


AERODROME OBSTACLE CHART - ICAO

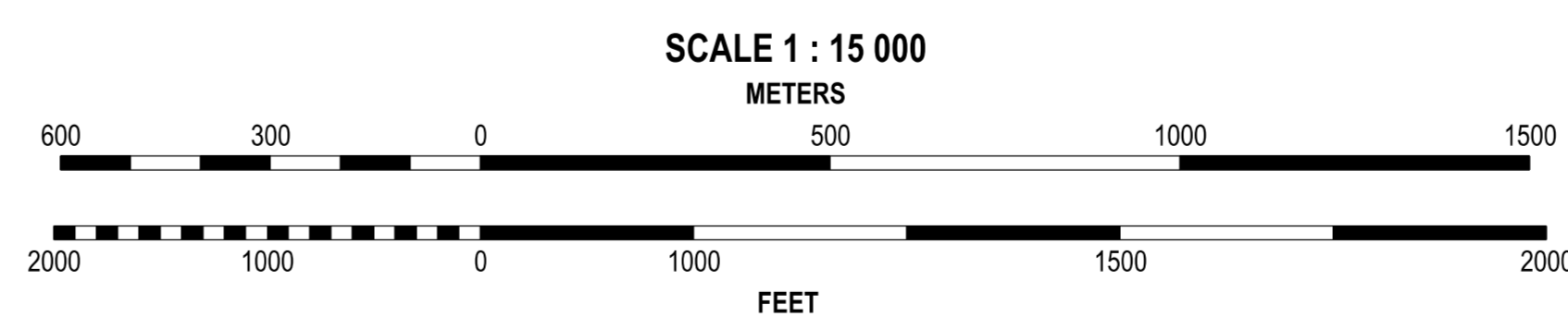
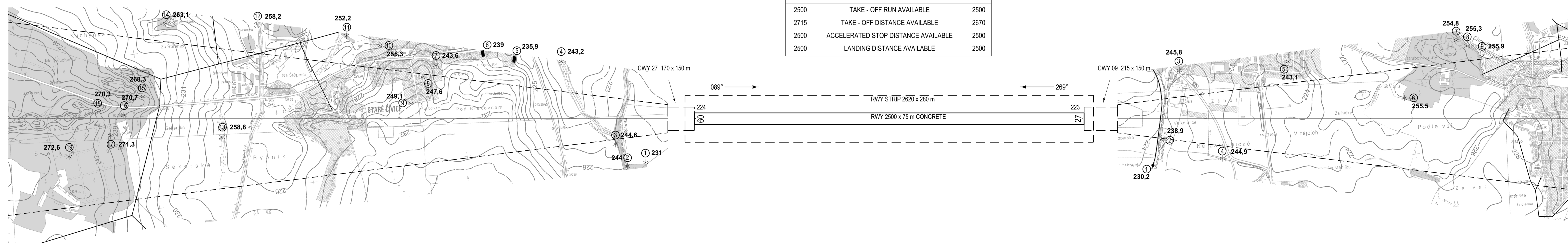
TYPE A (OPERATING LIMITATIONS)

PARDUBICE



DIMENSIONS AND ELEVATIONS IN METERS

RWY 09/27		
DECLARED DISTANCES		
RWY 09		RWY 27
2500	TAKE - OFF RUN AVAILABLE	2500
2715	TAKE - OFF DISTANCE AVAILABLE	2670
2500	ACCELERATED STOP DISTANCE AVAILABLE	2500
2500	LANDING DISTANCE AVAILABLE	2500



change of horizontal and vertical scale

LEGEND	
IDENTIFICATION NUMBER	⑥
TREE AND SHRUB	*
TOWER SPIRE, ANTENNA	○
BUILDING	■
TRANSMISSION LINE	—
RAILROAD	—
ROAD	—
CONTOUR	~
FOREST	■
HYDROGRAPHY	■